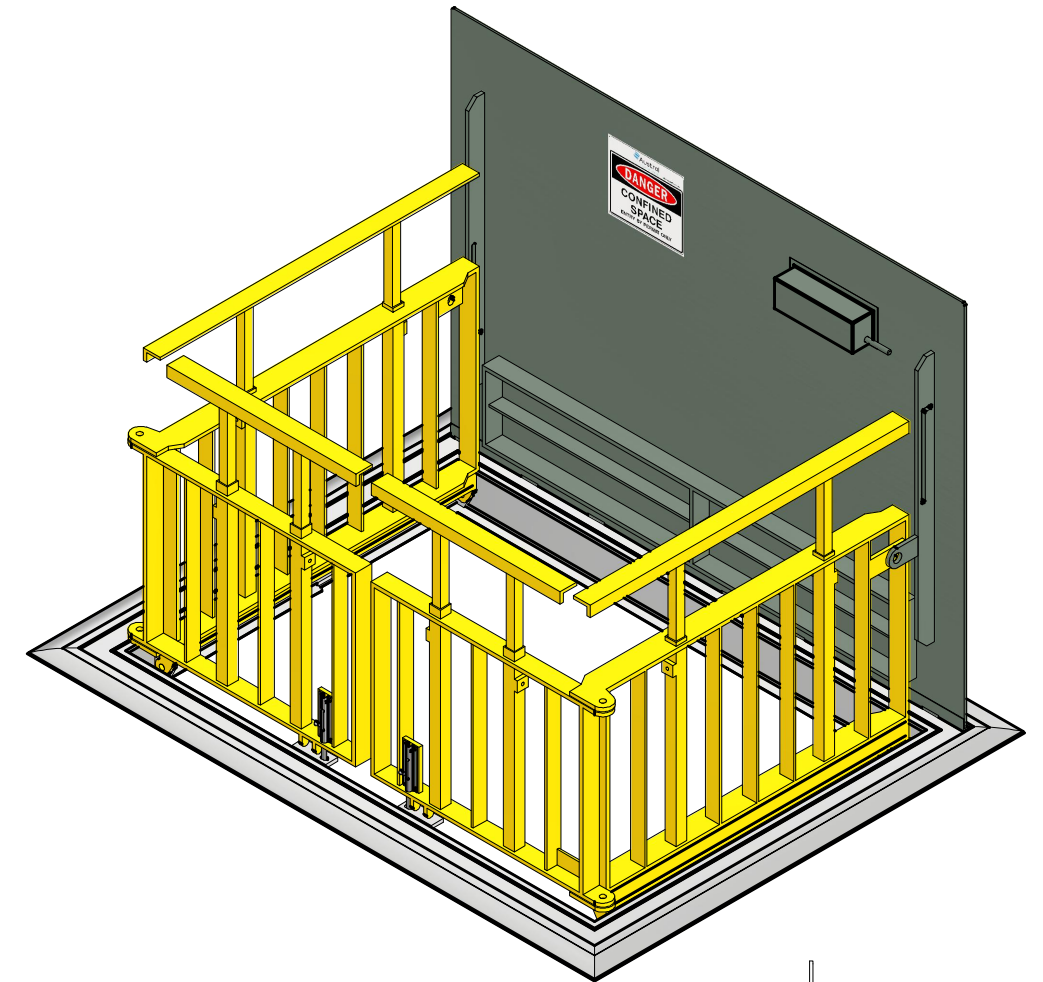
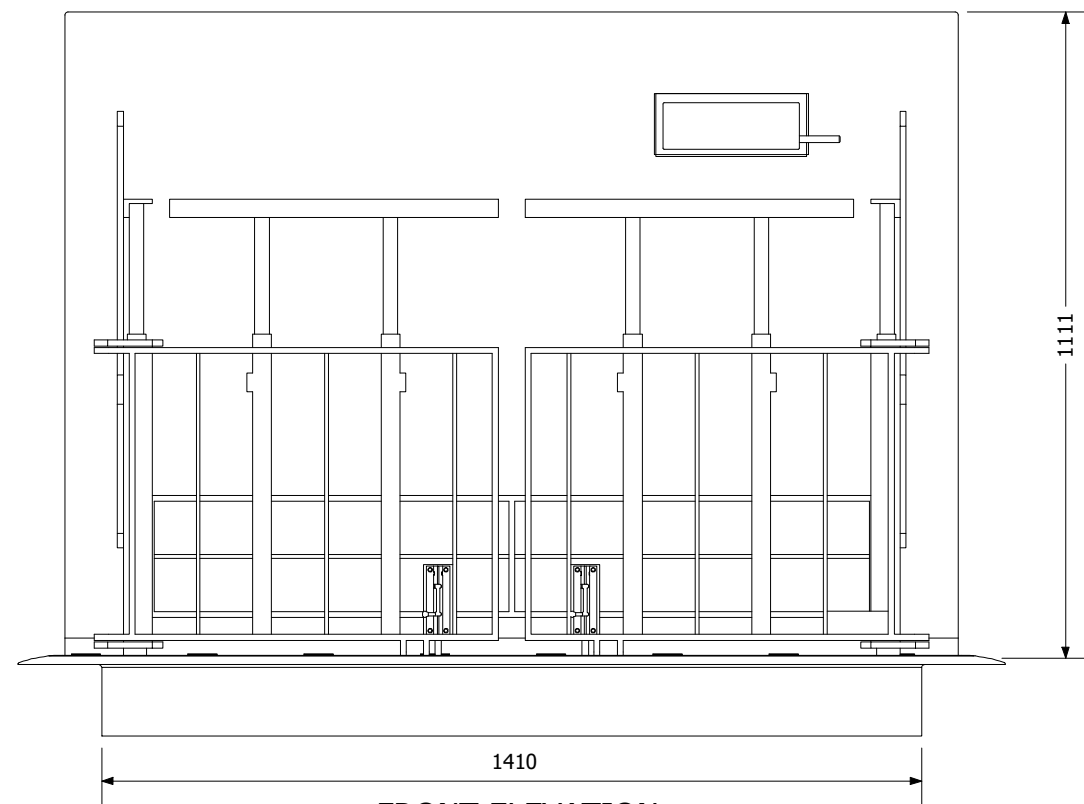


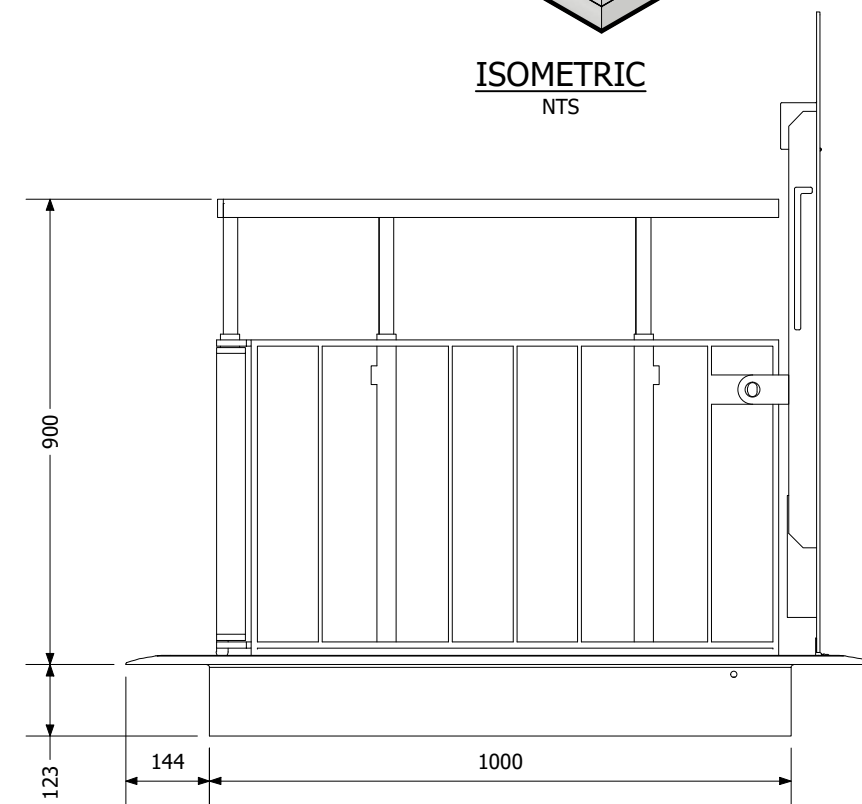
TOP ELEVATION
NTS



ISOMETRIC
NTS



FRONT ELEVATION
NTS



SIDE ELEVATION
NTS

NO.	REVISION	DATE	BY	APPROVED

DRAWING STATUS:		
DO NOT SCALE		
DIMENSIONS IN MILLIMETRES UNLESS OTHERWISE NOTED		
This drawing and all information it contains is the property of Netco Pumps & Equipment. It is confidential and it must not be loaned, copied or reproduced in whole or in part in any format without the prior written consent of the owner.		
REFERENCE DRAWINGS		

	SIGNED	DATE
DRAWN	S.S.	15.03.23
CHECKED	B.C.	15.03.23
DESIGNED	S.S.	15.03.23
APPROVED	B.C.	15.03.23

100 SUNDERLAND STREET, DERWENT PARK
TASMANIA 7009
(03) 6240 4709
sales@australint.com.au

PROJECT NAME	AUSTRAL INTERNATIONAL
DRAWING TITLE	FSP 1410(1410 X 1000) STOCK SIZE FULL ACCESS COVER
DRAWING NUMBER	AI-2303-14-008

SCALE AT A3
SCALE
REVISION