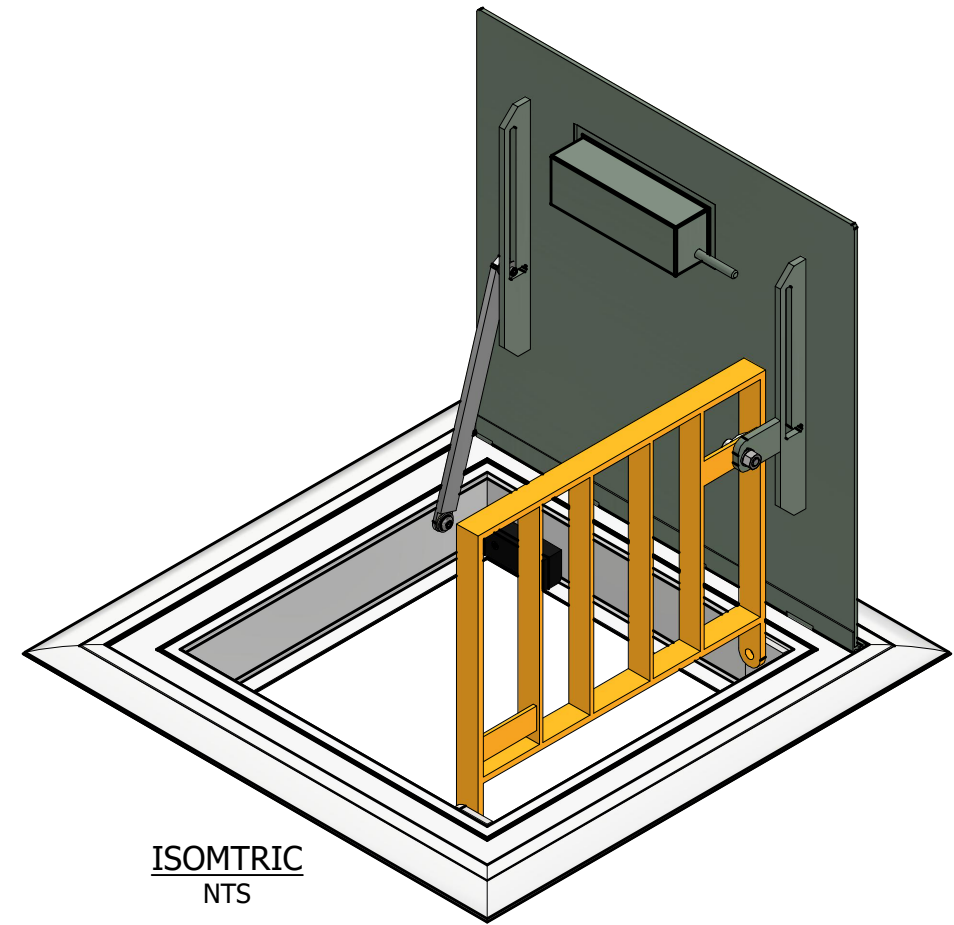
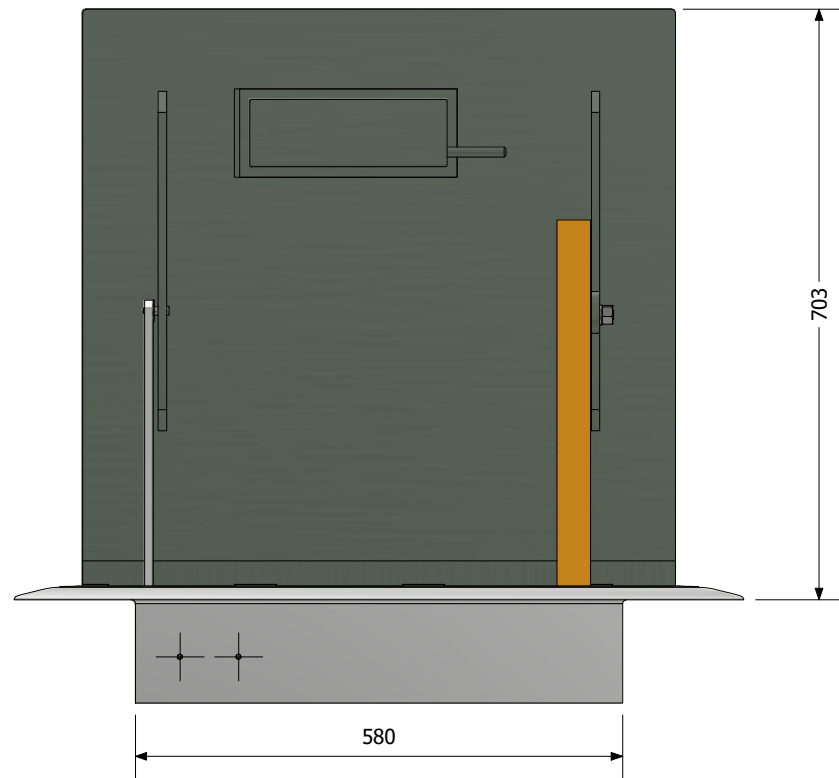


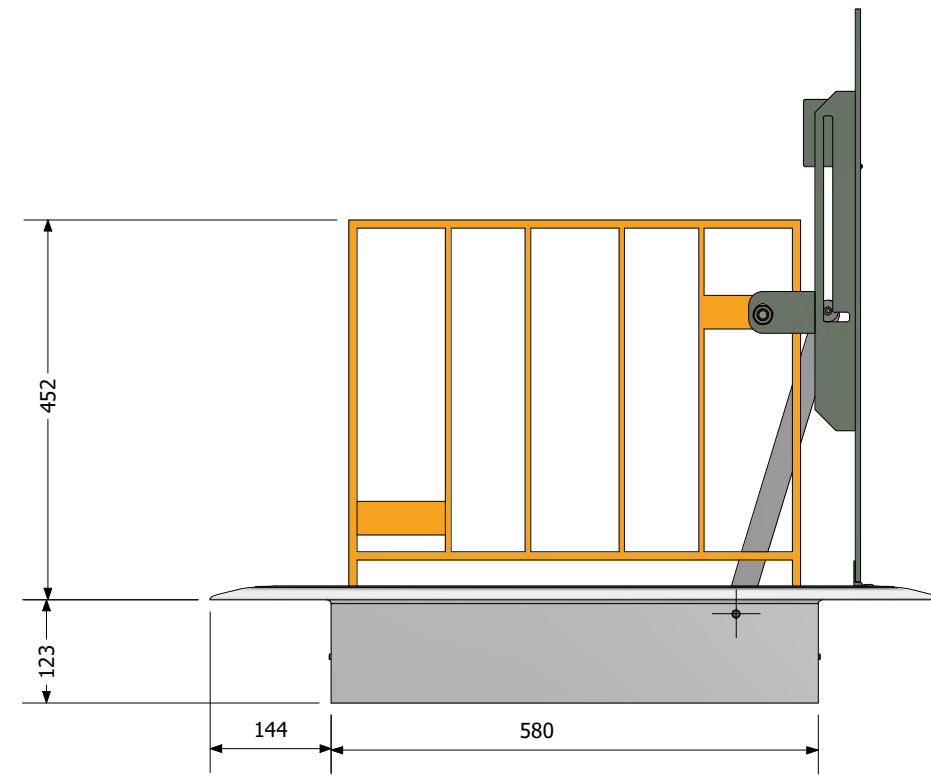
TOP VIEW
NTS



ISOMETRIC
NTS



FRONT VIEW
NTS



SIDE VIEW
NTS

NO.	REVISION	DATE	BY	APPROVED
	ORIGINAL DRAWING		S.S.	

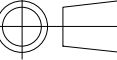
DRAWING STATUS:		
DO NOT SCALE		
DIMENSIONS IN MILLIMETRES UNLESS OTHERWISE NOTED		
This drawing and all information it contains is the property of Netco Pumps & Equipment. It is confidential and it must not be loaned, copied or reproduced in whole or in part in any format without the prior written consent of the owner.		
REFERENCE DRAWINGS		

	SIGNED	DATE
DRAWN	S.S.	19.05.23
CHECKED	B.C.	19.05.23
DESIGNED	S.S.	19.05.23
APPROVED	B.C.	19.05.23



100 SUNDERLAND STREET, DERWENT PARK
TASMANIA 7009
(03) 6240 4709
sales@australint.com.au

PROJECT NAME	AUSTRAL INTERNATIONAL
DRAWING TITLE	TSP 6060(580 x 580) FULL ACCESS COVER STOCK SIZE
DRAWING NUMBER	AI-2305-26-001



SCALE AT A3
NTS
REVISION
0