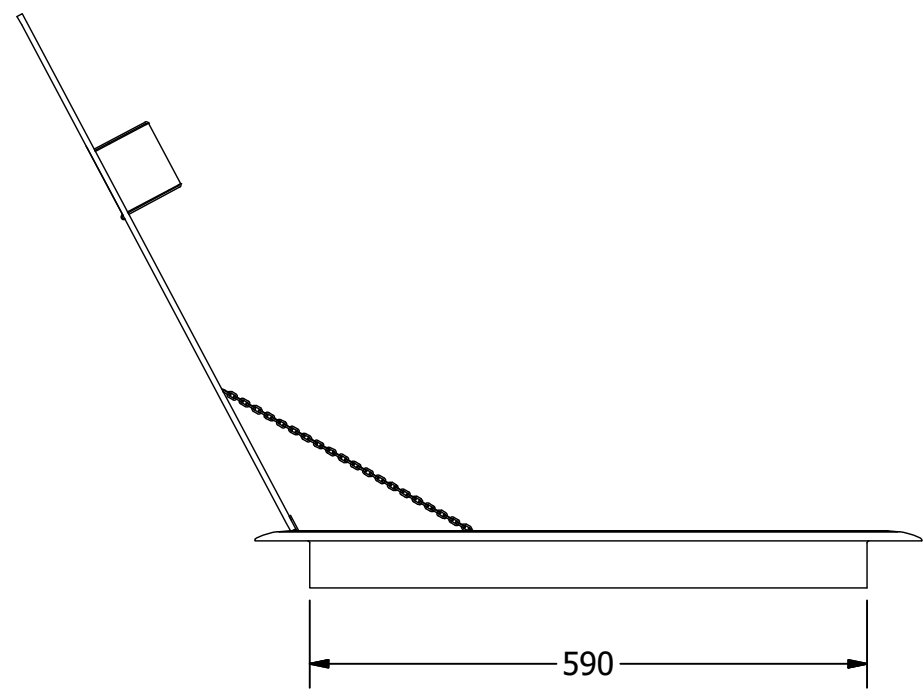
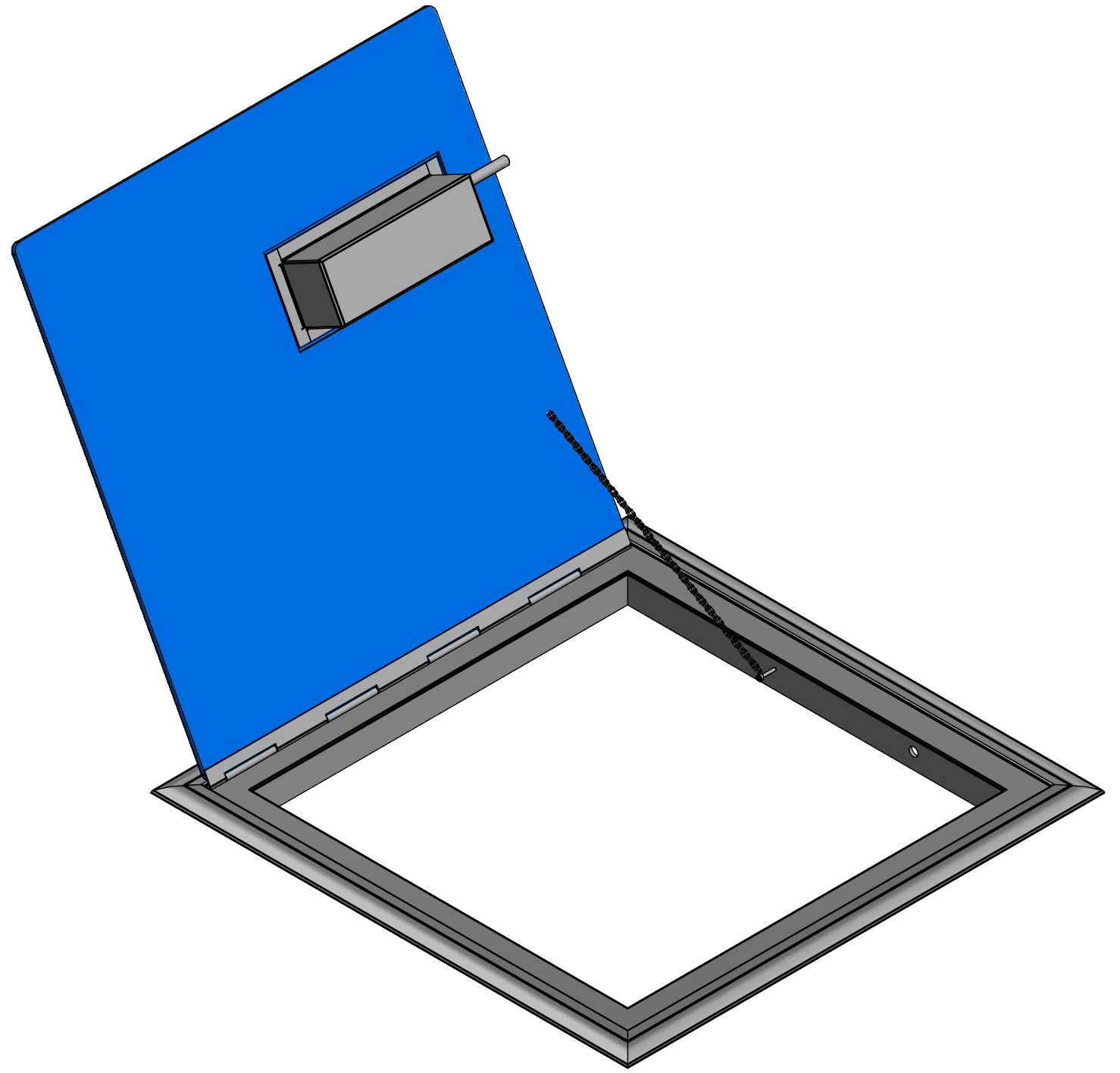


FRONT VIEW




SIDE VIEW



ISOMETRIC VIEW

ALL DIMENSIONS IN mm

REV NO.	DESCRIPTION	DATE
1	ORIGINAL DRAWING	30.08.19

		100 Sunderland Street, Derwent Park Tasmania 7009 1300 010 151 clinton.cruickshank@australint.com.au	
SIZE	BASE MODEL 600 x 600 VOID ACCESS COVER		
A3			
SCALE			
NTS			
DRAWN	J.M	30.08.19	Drg. No.
CHECKED	C.C	30.08.19	
CHECKED			
			SHEET 1
			OF 1